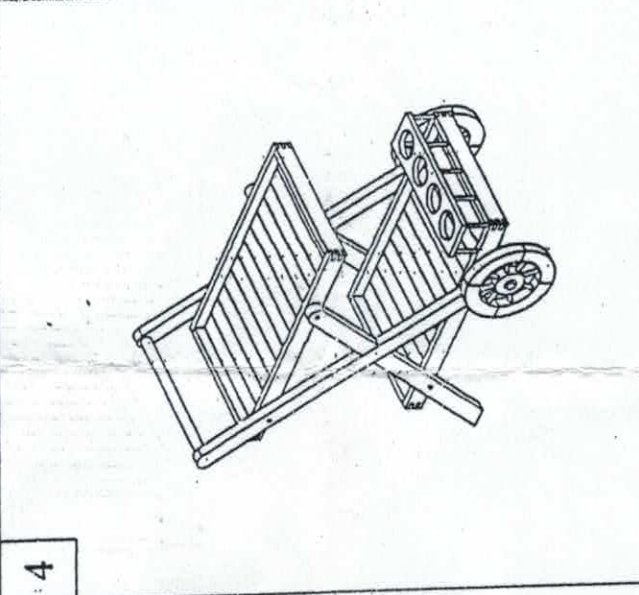
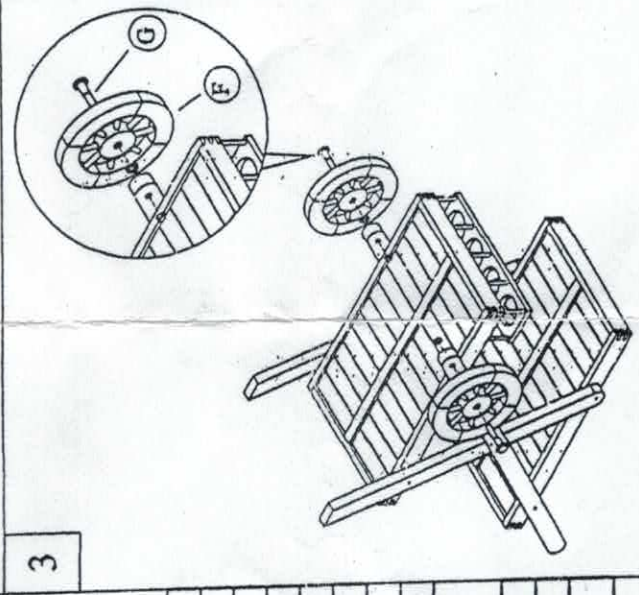
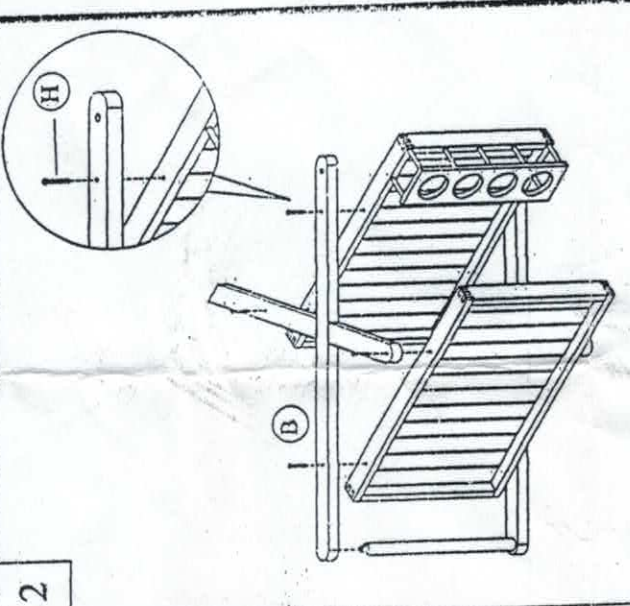
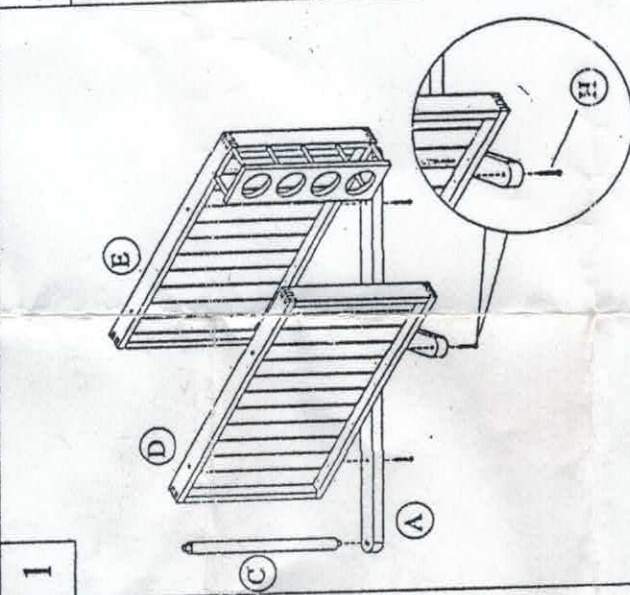
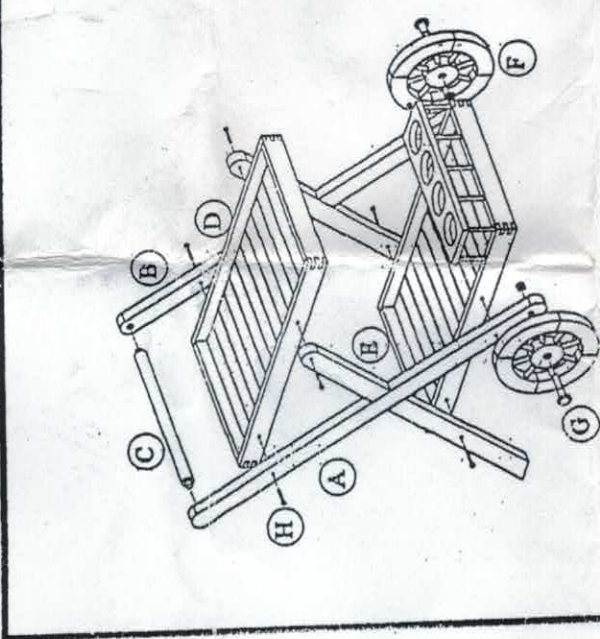



ASSEMBLY INSTRUCTION SERVING TROLLEY



PART LIST

PART	QTY	DESCRIPTION
A	1	RIGHT SIDE
B	1	LEFT SIDE
C	1	HANDRAILS
D	1	UPPER TRAY
E	1	LOWER TRAY
F	2	WOOD WHEEL

HARDWARE LIST

PART	QTY	SIZE	PICTURE
G	8	6 mm x 4 cm	
H	2	12 mm x 8 cm	